



Sliding Fifth Wheel Hitch System

User Guide Supplement

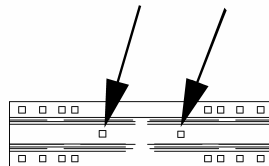
Introduction

- RBW Industries ^{inc} takes great pride in our reputation as an innovative manufacturer of high quality products. We have designed the Xtender Sliding Fifth Wheel Hitch System to provide a lifetime of dependable service. It's extremely important to fully read and understand all steps of assembly, installation, operation and maintenance of your new Xtender Hitch System to assure safe, reliable operation.
- Your Xtender has a rated capacity of 16,000 lbs. when used with the X-1001 hitch head. If the LR-1001 head is installed, rated capacity is 15,000 lbs.

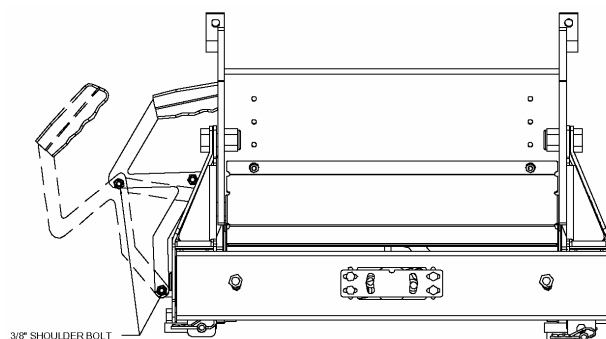
Installation

1. These instructions are intended to supplement your RBW Hitch System Owners Manual. Refer to the Owners Manual for complete installation instructions.
2. Once the bed rails are installed, mark and drill a 1/2 diameter hole centered on the width of the bed rail and located 18.5 inches from either end. Install a 1/2" x 1 3/4" Grade 5 carriage bolt with nut & lock washer in one the hole, as shown. **Caution: Prior to drilling into the truck bed or frame for installation of the hitch mount, be sure to note the vicinity of the fuel tank and brake, fuel or electrical lines. Temporarily relocate them if necessary to avoid possible damage.**

Install Bolt Here Or Here



3. Orient the Xtender so the nut & bolt on the side rail are on the driver side of the truck and set the unit into the bed rails. Secure the Xtender to the bed rails using the 1/2" diameter clevis hairclips. (See Xtender shown pins and Below. Note: from rear)



4. Attach the handle to the release mechanism with the fasteners on the Xtender.
5. Set the hitch head onto the crossbar and secure with the 3/8" diameter clevis pins and hairclips.

Operation

1. While towing, your Xtender should be kept in the forward position, except when additional clearance is required for slow speed maneuvers.
2. To move your Xtender to the rearward position, pull the red handgrip towards the side of the truck until it latches into the open position. Set the trailer brakes and gently pull the truck forward until the slider engages in the rear position. Physically verify that the handle has returned to the closed position.
3. To return your Xtender to the forward position, pull the red handgrip towards the side of the truck until it latches into the open position. Set the trailer brakes and back the truck up until the slider engages in the forward position.

Maintenance

1. Regularly inspect your Xtender for visible signs of damage, loose/missing fasteners and proper operation.
2. If you have questions, contact RBW Industries^{inc} Technical Support Department for assistance at 800-451-7821.

RBW INDUSTRIES, INC.
Xtender Fifth Wheel Hitch System
LIMITED FIVE YEAR WARRANTY

RBW Industries, Inc. warrants the Xtender Fifth Wheel Hitch System against defects in material and workmanship under normal use and service, ordinary wear and tear excepted, for Five Years from the first date of purchase at retail. Any part found to have a defect in material or workmanship, will be repaired or replaced at the option of RBW when returned to RBW with transportation charges prepaid. This warranty does not cover the condition, durability or appearance of the product finish.

If the hitch is damaged as a result of improper installation, alteration, vehicle accident, misuse or unreasonable use, including but not limited to, loading the product beyond the factory rated load capacity, RBW shall not be required to repair or replace such product. In every case, this warranty covers only the defective part and does not provide for reimbursement of the retail price of the part or labor charges.

RBW shall not be liable for any incidental or consequential damages for breach of any express or implied warranty on any RBW product.

There are no warranties that extend beyond the description of the face hereof. RBW is extending no other warranties, express or implied, nor any warranties of merchantability or fitness for a particular purpose. Any such warranties of merchantability or fitness for a particular purpose are expressly excluded.

This warranty is designed and intended to fully comply with the requirements of the Magnusson-Moss Warranty Act and all regulations issued by the Federal Trade Commission in connection therewith. It is not intended to violate any state law or regulation containing more stringent requirements, and such requirements automatically become part of this warranty insofar as required by that act.

The owner has available the legal remedies provided by the Magnusson-Moss Warranty Act, Public Law 93-637, 99 STAT.2183-2193: 15 U.S. Code, Secs 23021-2312, and any applicable state statutes.

RBW INDUSTRIES, INC.
5740 Schaefer Avenue • Chino, CA 91710
909.591.5359 • 800.451.7821 • Fax 909.591.6730
www.rbwindustries.com